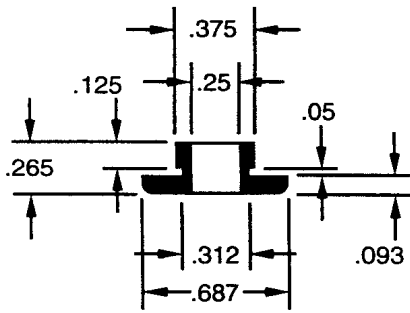


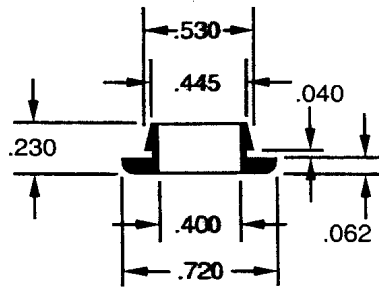
Molded Parts of Irregular Design



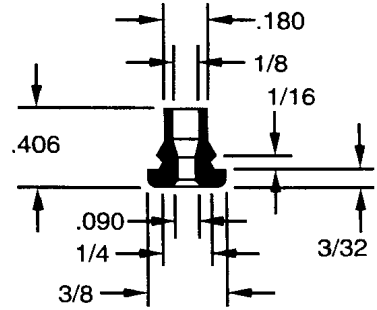
<p>2472</p>	<p>*See 2472 2511</p>	<p>2406</p>
<p>2516</p>	<p>2443</p>	<p>Scale 2:1 2469</p>
<p>2429</p>	<p>2426</p>	<p>660</p>
<p>2526</p>	<p>2440</p>	<p>662</p>



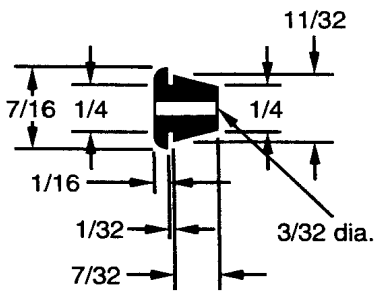
2592



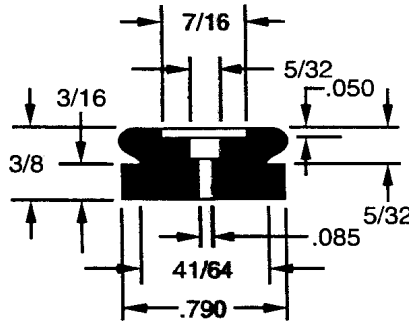
2590



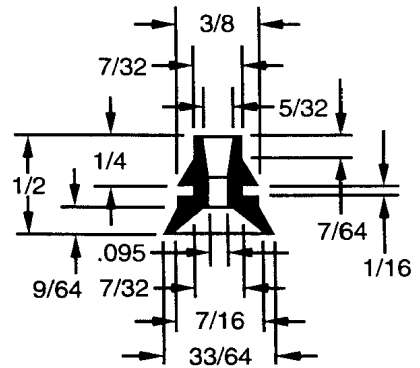
2579



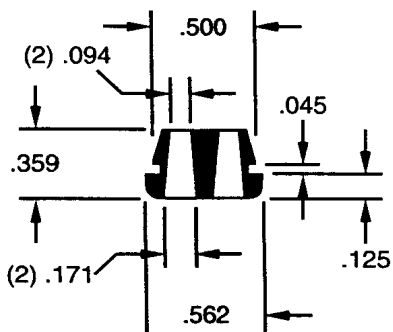
2427



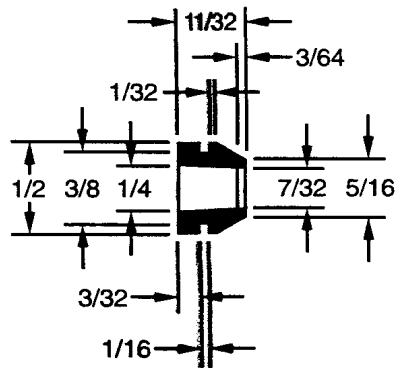
2556



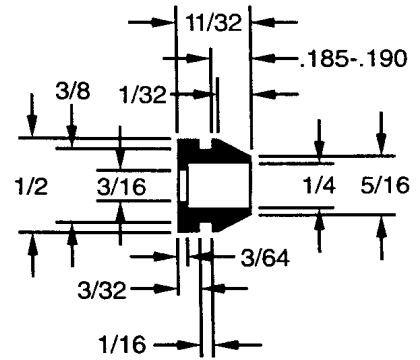
2486



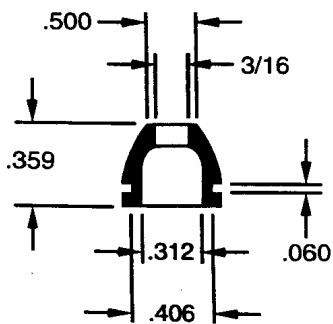
Groove dia. = .435 **2572**



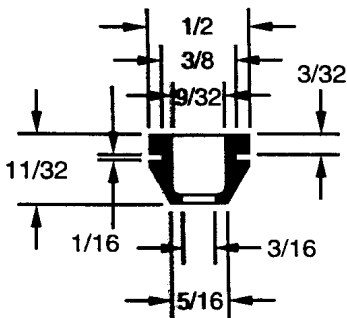
2421



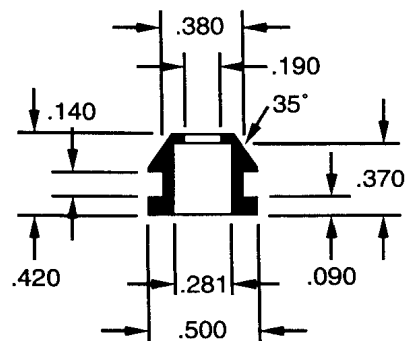
2416



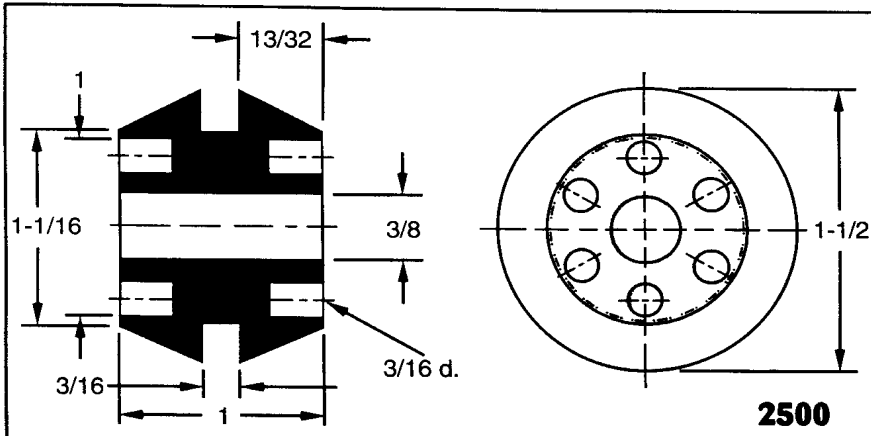
2549



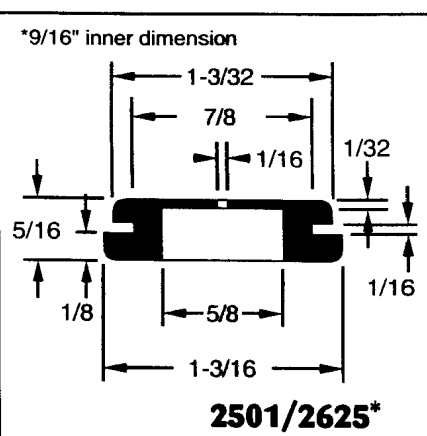
2454



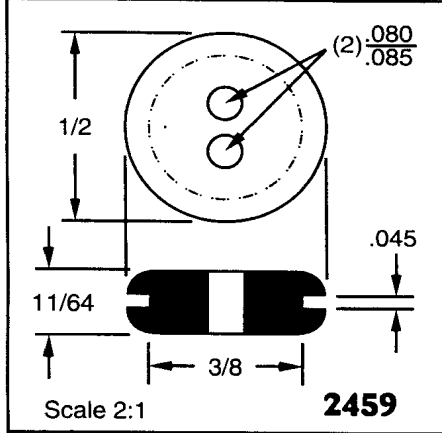
2532



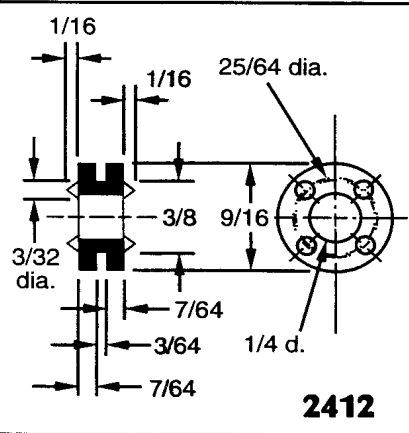
2500



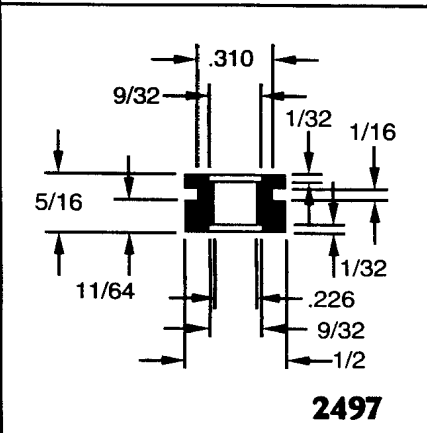
2501/2625*



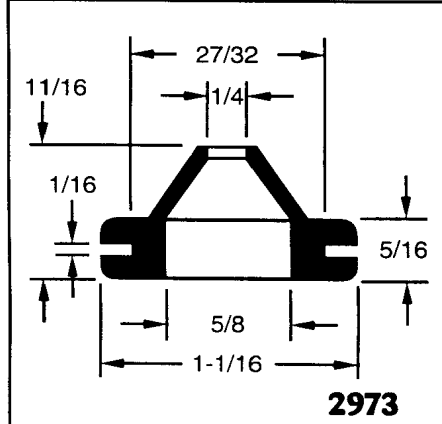
2459



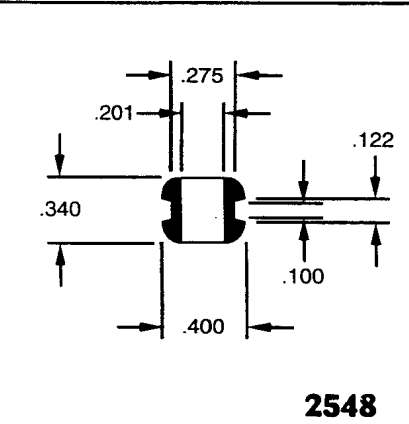
2412



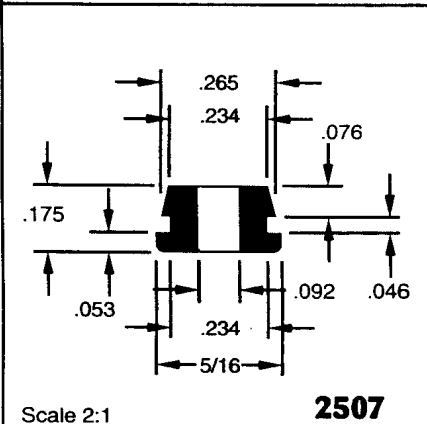
2497



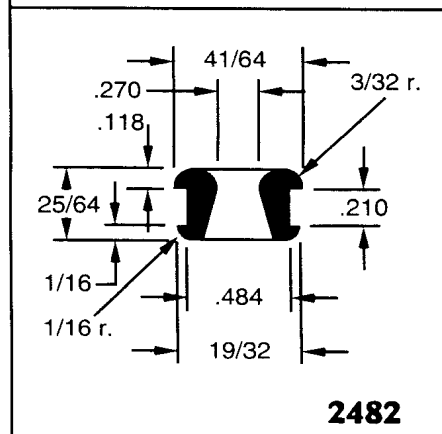
2973



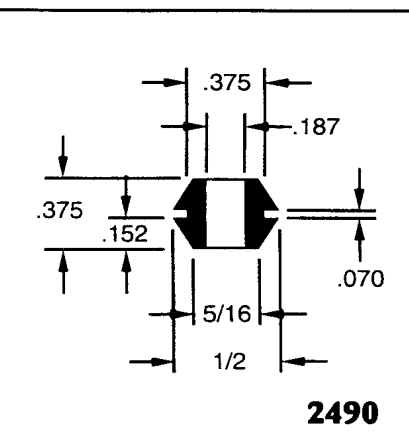
2548



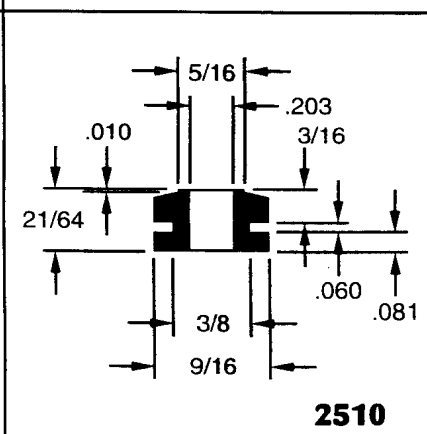
2507



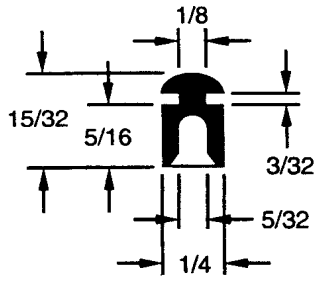
2482



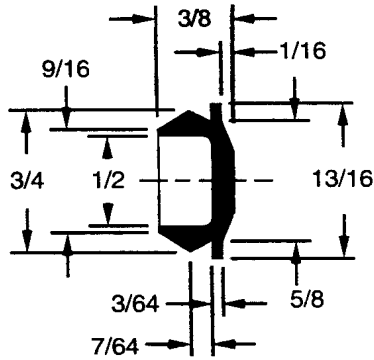
2490



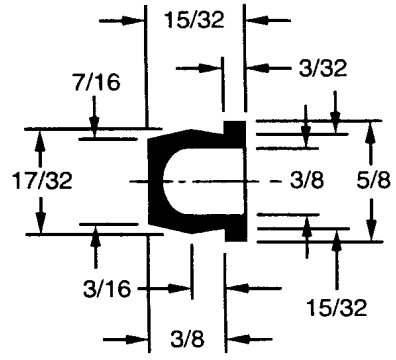
2510



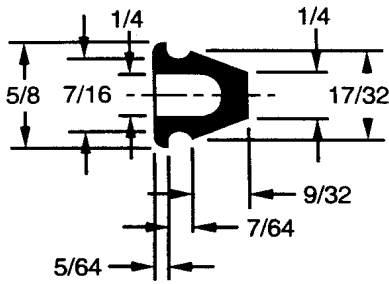
2441



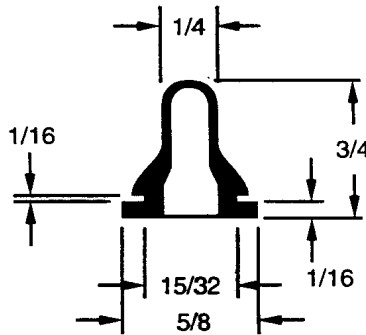
240



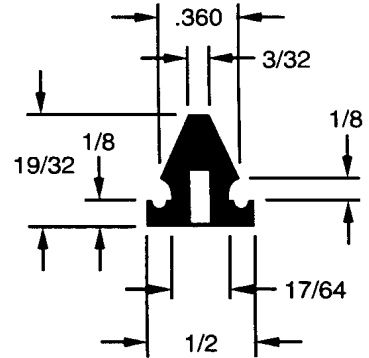
241



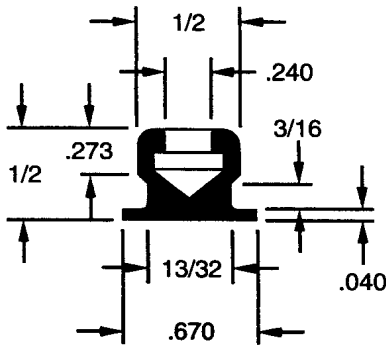
245



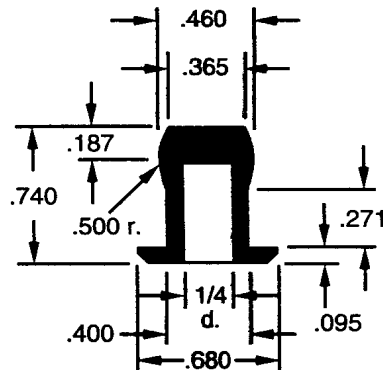
2439



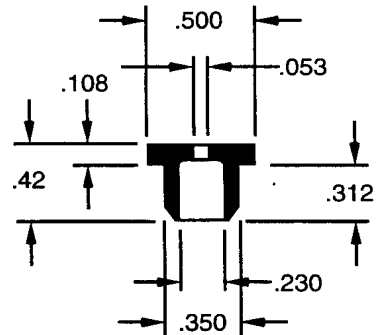
2584



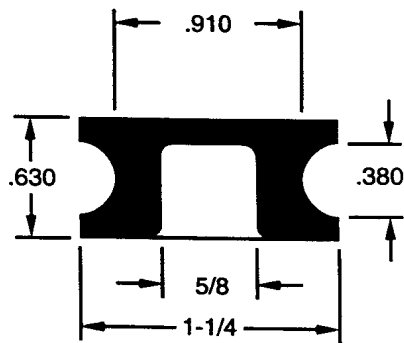
2546



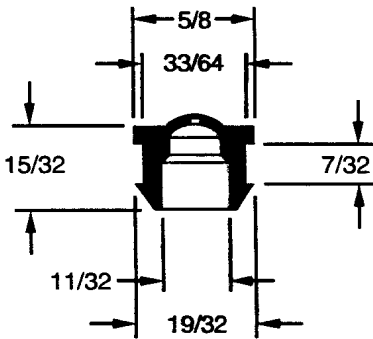
2498



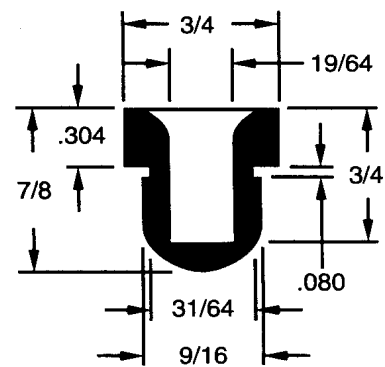
2577



2595

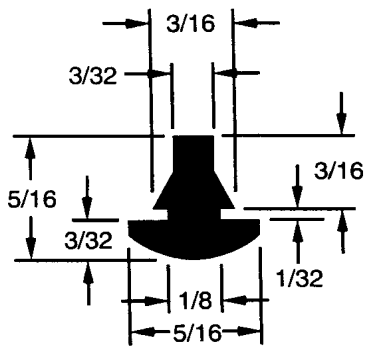


2540

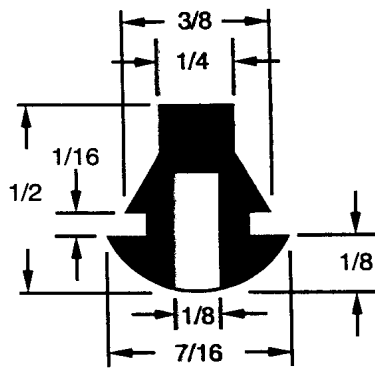


2448

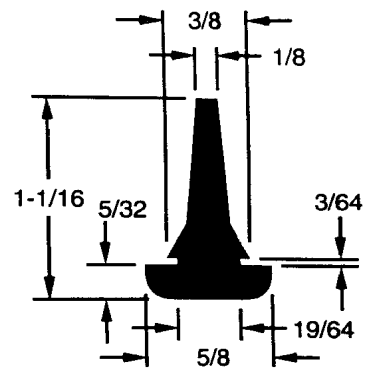
*3170 has .075 "F", .354 "B" dimensions.



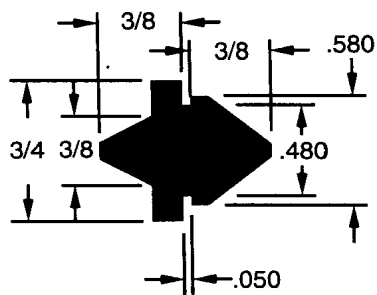
Scale 2:1 **3170* & 3069**



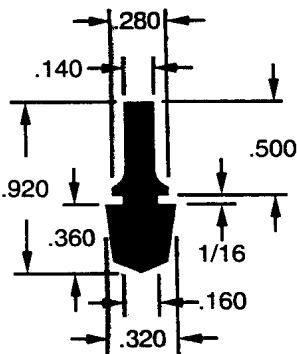
Scale 2:1 **4066**



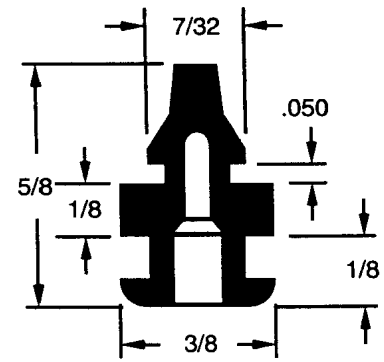
4086



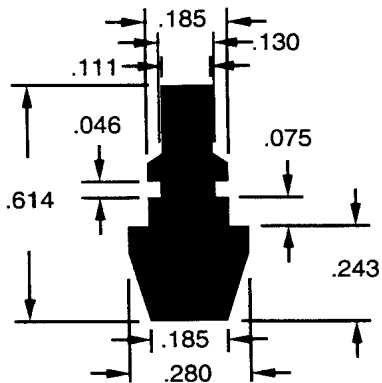
2432



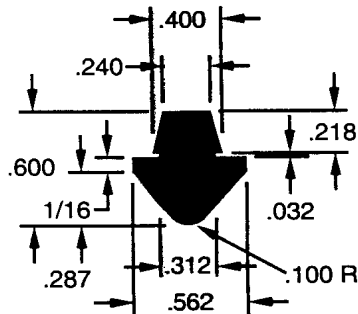
2542



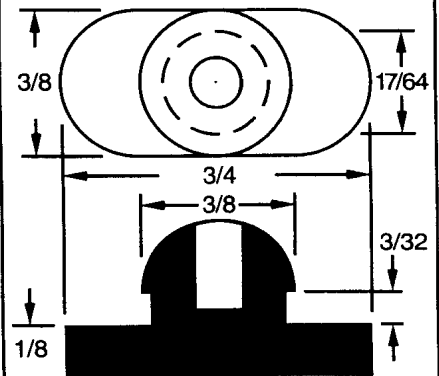
Scale 2:1 **2457**



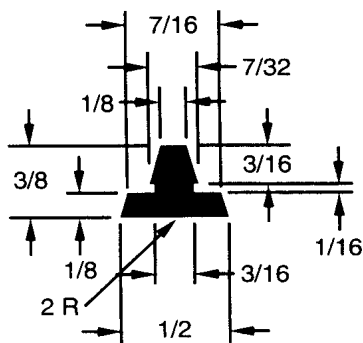
Scale 2:1 **2578**



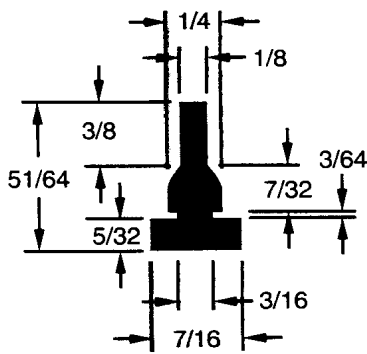
2488



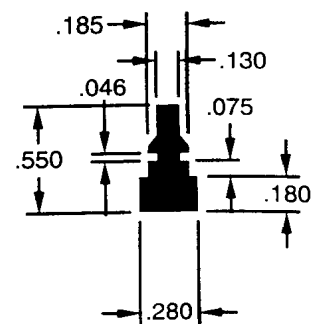
Scale 2:1 **2460**



2520



2481



2571

