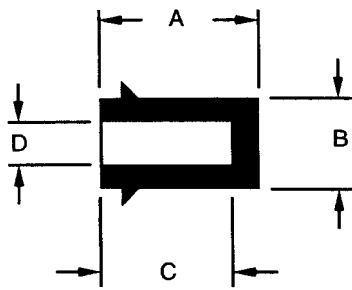


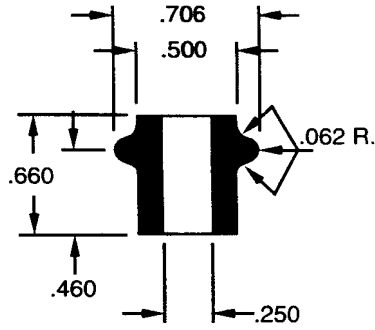
Molded Parts of Irregular Design



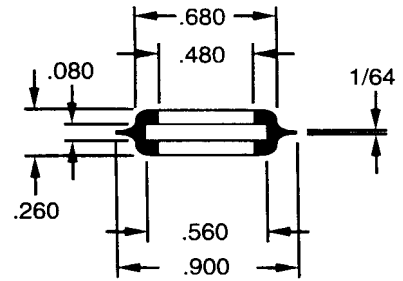
| | | |
|---|--|---|
| <p>5° taper</p> <p>5/8</p> <p>3/8</p> <p>1/8</p> <p>6181</p> | <p>1/4</p> <p>11/16</p> <p>5/8</p> <p>5/32</p> <p>3/8</p> <p>6311</p> | <p>15/32</p> <p>1/4</p> <p>1/32</p> <p>17/32</p> <p>11/16</p> <p>3/64x45°</p> <p>3/16</p> <p>1/2</p> <p>2554</p> |
| <p>3/8</p> <p>1/16</p> <p>21/32</p> <p>.050</p> <p>7/32</p> <p>1/2</p> <p>2495</p> | <p>13/32</p> <p>3/16</p> <p>5/64</p> <p>3/4</p> <p>5/8</p> <p>1/2</p> <p>15/64</p> <p>19/64</p> <p>2407</p> | <p>5/16</p> <p>13/32</p> <p>1/4</p> <p>11/64x3°</p> <p>7/16</p> <p>2567</p> |
| <p>.360</p> <p>.125 R</p> <p>.190</p> <p>5/32" dia. x 2° taper</p> <p>.280</p> <p>2594</p> | <p>.294</p> <p>.040</p> <p>.120</p> <p>.140</p> <p>.060</p> <p>5/32</p> <p>.226</p> <p>.326</p> <p>2628</p> | <p>3/16</p> <p>1/4</p> <p>3/8</p> <p>1/2</p> <p>621</p> |
| <p>27/32</p> <p>1/2</p> <p>1/4</p> <p>5/16</p> <p>7/8</p> <p>2473</p> | <p>3/16</p> <p>.300</p> <p>.335 .345</p> <p>5/8</p> <p>658</p> | <p>.572</p> <p>7/64</p> <p>23/64</p> <p>1/16</p> <p>.480</p> <p>6721</p> |



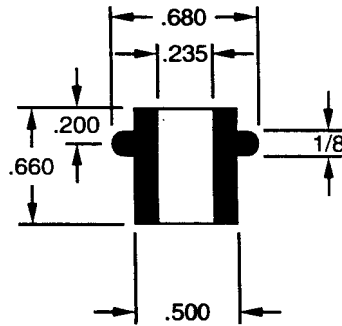
| | A | B | C | D |
|------|-------|-------|-------|------|
| 2461 | 21/32 | 31/64 | 19/32 | .215 |
| 2468 | 27/32 | 31/64 | 25/32 | .230 |
| 2471 | 21/32 | 31/64 | 5/8 | .220 |
| 2508 | 21/32 | 31/64 | 33/64 | .215 |
| 2566 | 21/32 | 1/2 | 17/32 | .203 |
| 2596 | .734 | .495 | .640 | .272 |
| 2597 | .500 | .422 | .437 | .218 |



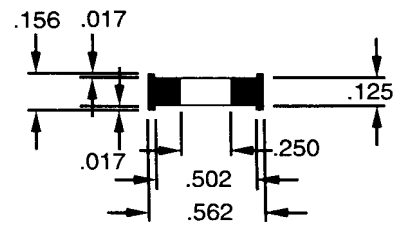
2493



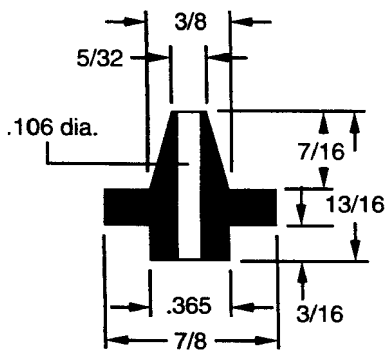
2564



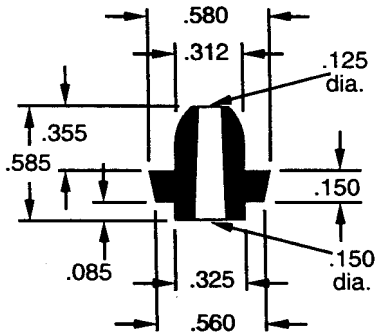
2503



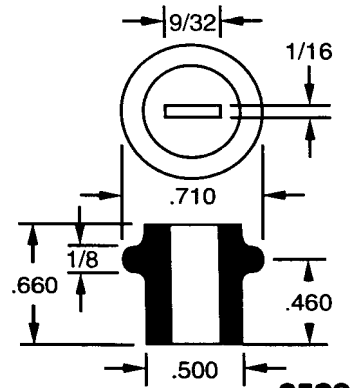
2620



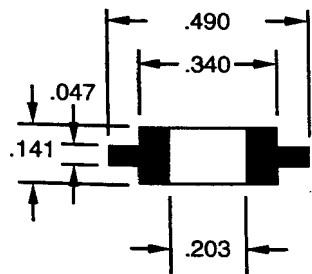
2422



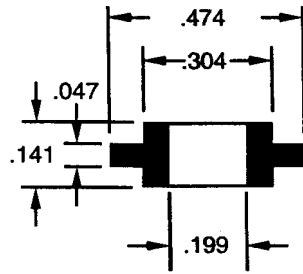
2442



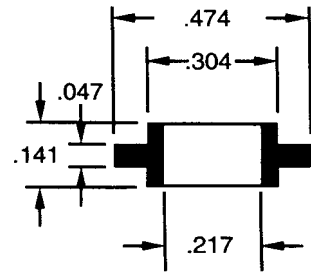
2529



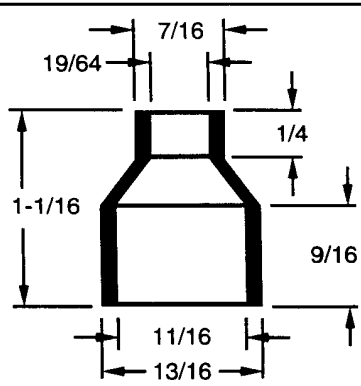
2430



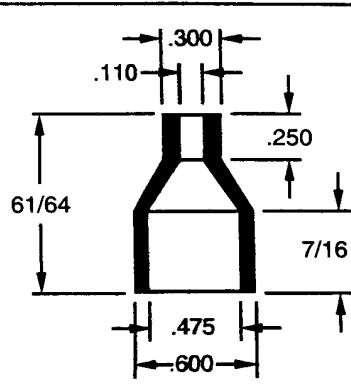
2436



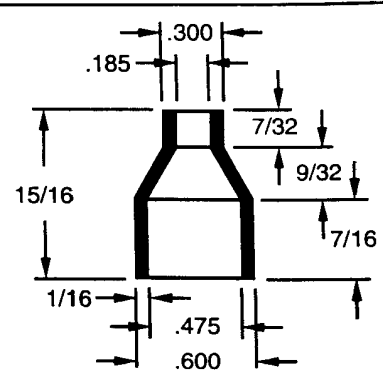
2437



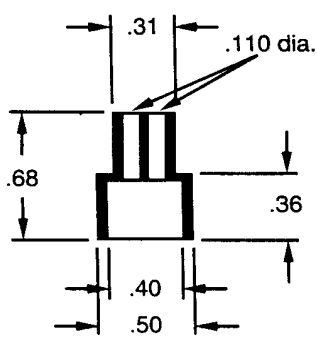
2575



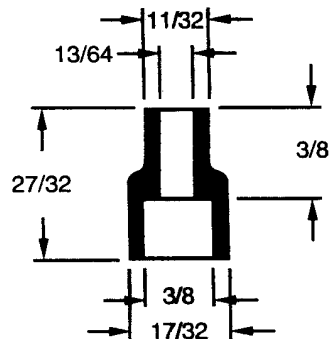
2560



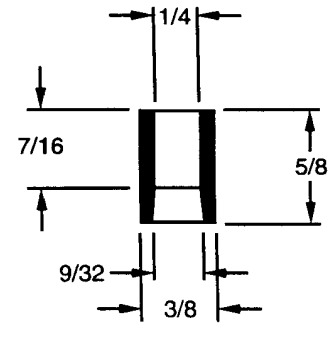
2541



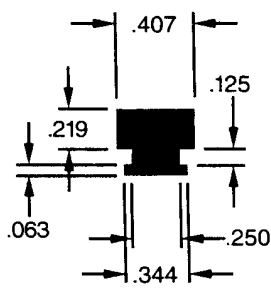
2565



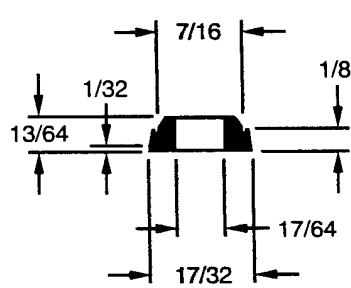
2574



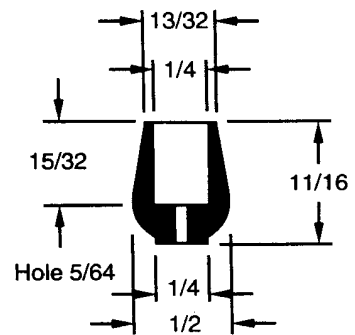
2419



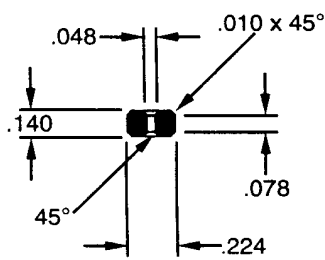
3319



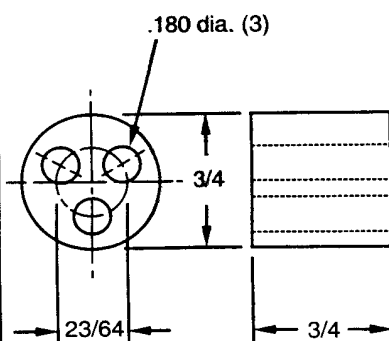
2514



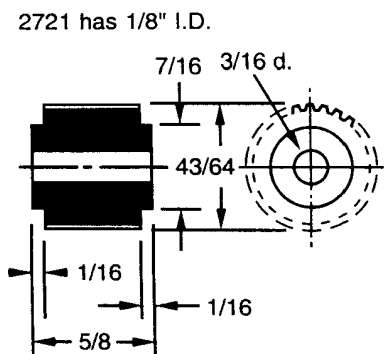
6262



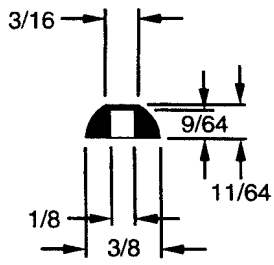
2524



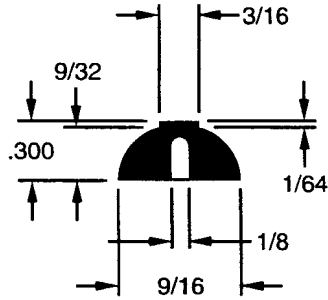
2409



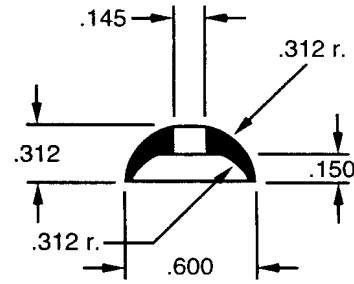
2721 & 272



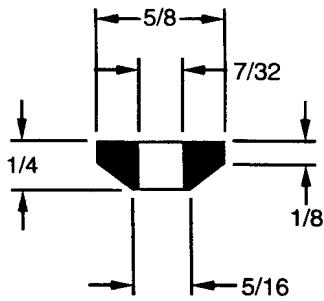
2405



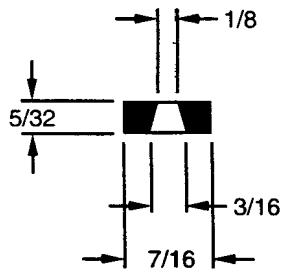
2496



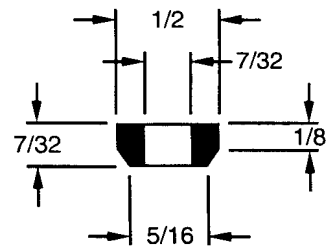
2489



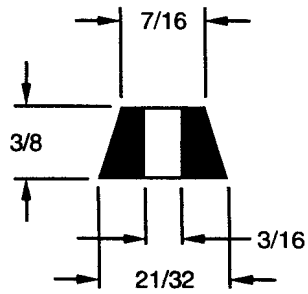
2449



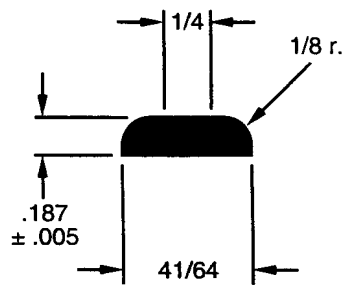
2557



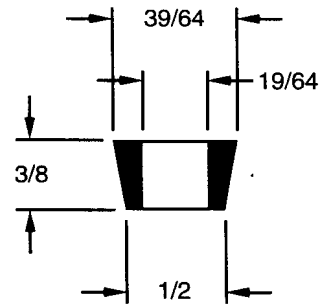
2452



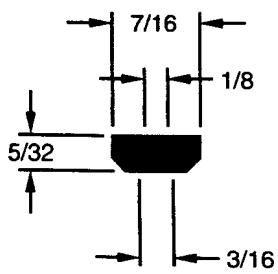
2403



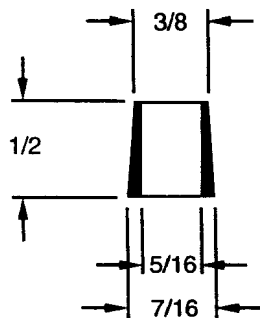
2434



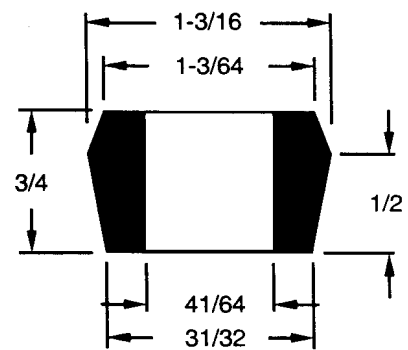
2456



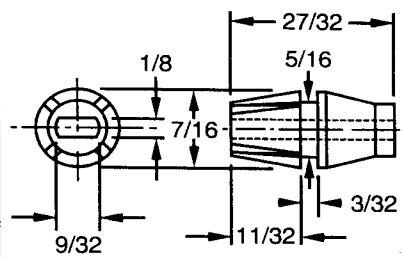
2462



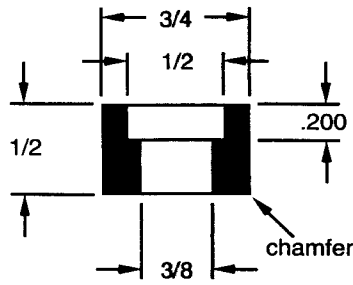
2402



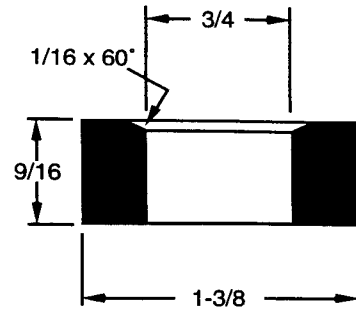
2502



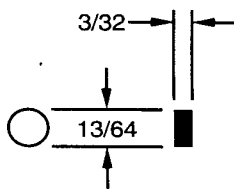
204



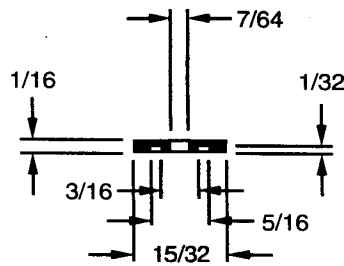
2512



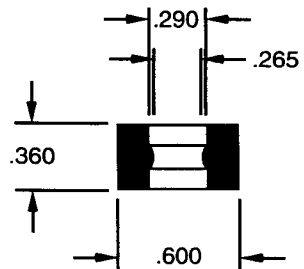
2522



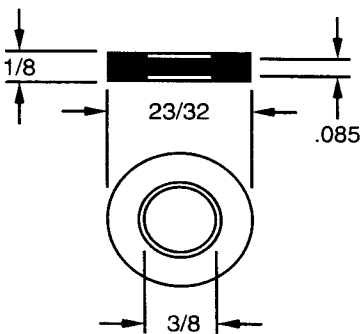
2506



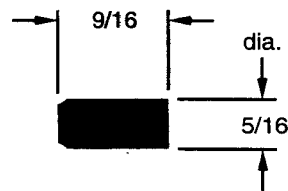
2531



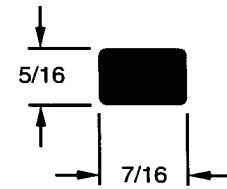
2562



2700

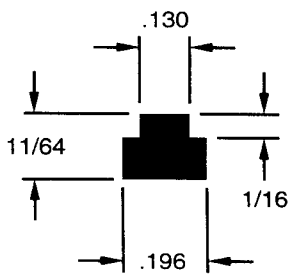


6521

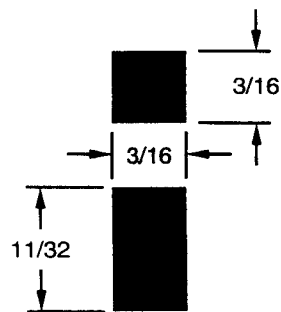


652

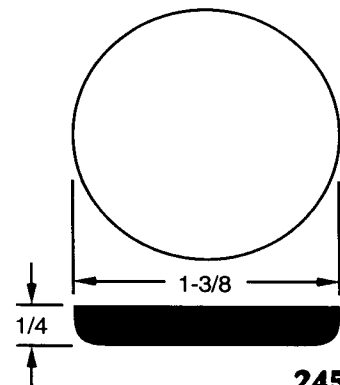
Scale 2:1



653



654



2458